

Product Features

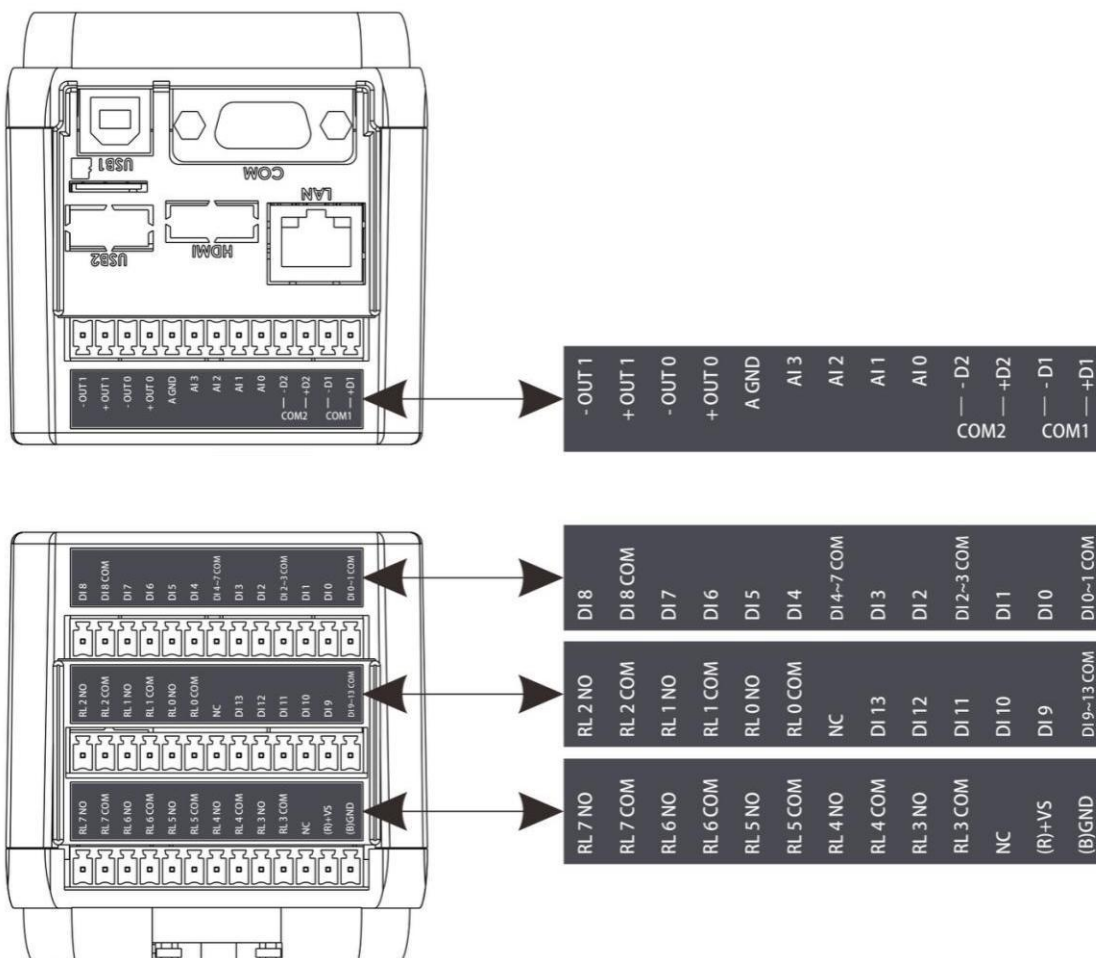
- ※ Creation Of Control Programs In Function Block Diagram (FBD) Or Ladder Diagram (LAD)
- ※ 4-Axis Synchronous Motion, 100 KHz PWM (Total 400KHz)
- ※ Able To Edit The Parameter Among The Controller Operation
- ※ Multiple AUTO-PI Synchronous Function
- ※ Multi-Lingual Display Menu
- ※ Enhance Password & Safety Function
- ※ Text Display Can Be Pre-Programmed In Two Languages
- ※ Built-in Standard High Frequency Counter (250KHz Per Input, Total 1000KHz)
- ※ Built-in Standard Real Time Clock (RTC)
- ※ PC Program Can Be Used For All A-61/52/62 Series
- ※ ATP2 Text Panel Can Plug & Play Directly
- ※ Built-in Standard RS-485 Port, Connect More Than 10000 Ios Via Remote IO Module
- ※ Connect Encoder & Multi-Sensors Directly
- ※ Built-in Step Motor Driver, Connect Directly
- ※ Built-in Datalog Function, MicroSD Plug-in
- ※ Display Text Display Diversity Patterns, Scrolling Text, Bar Charts, Indicators
- ※ 116 FBD Integrated Functions, 111 LD Integrated Functions
- ※ Astronomical Clock Function
- ※ ATP2 Text Panel Built-in Function Key
- ※ Digital Oscilloscope Function, Real-Time Monitoring
- ※ High-Level Math Functions
- ※ Communication Protocol MODBUS TCP-IP/RTU/ASCII & Multi
- ※ Block Name Define, Program Comment Format
- ※ Communication Baud Rate 921600 bps
- ※ Custom Truth Table, Without Logical Analysis
- ※ Multi Communication Parameter Function
- ※ Quick Calculation Of Nonlinear Equations
- ※ Random Generator Hardware
- ※ Free PC Software "ATC Edit " + "ATC Utility "
- ※ The A-3290 Two-Way Communicate Transmitter Able To Connect Wi-Fi AP, Internet Of Things (IOT), Remote Control
- ※ Able To Use For Master Or Slave Application
- ※ Able To Set For Ethernet To MODBUS 3-port Gateways
- ※ Able To Set For Ethernet to MODBUS 3-port Serial Device Servers
- ※ Built-in Voltage Input + Current Output



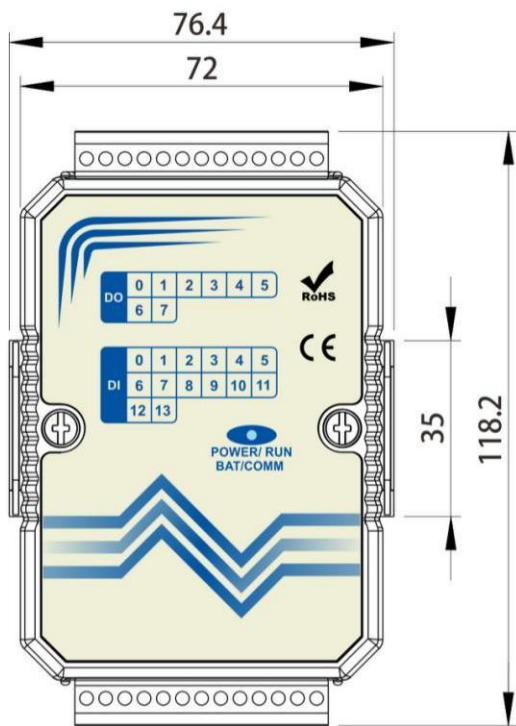
Specifications

| Type | A-5389 |
|---------------------------|---|
| Operation Voltage | 10~30VDC / 24VAC |
| Digital Inputs | 14*DI(Isolation) status low:<3.9VDC, status high:>4VDC |
| Digital Outputs | 8*Isolation(Relay) |
| Continuous Current | Relay: 5A(with resistive load), 2A(with inductive load) |
| Analog Inputs | 4*AI(0~10VDC) |
| Analog Outputs | 2*AO(0/4~20mA) |
| Input Operating Frequency | 250KHz(Total 1000KHz) |
| RTC/Hold During Power Off | Yes |
| Operation Temperature | -20 to +75°C |
| Communication Ports | USB*1 & RS-485*2 & RS-232*1 & Ethernet(100M) |
| Degree Of Protection | IP20 |
| Memory Card | Micro SD |
| Base Controller IOs | 28 AIOs |
| Installation | 35 mm DIN Rail or Flush Mounting |

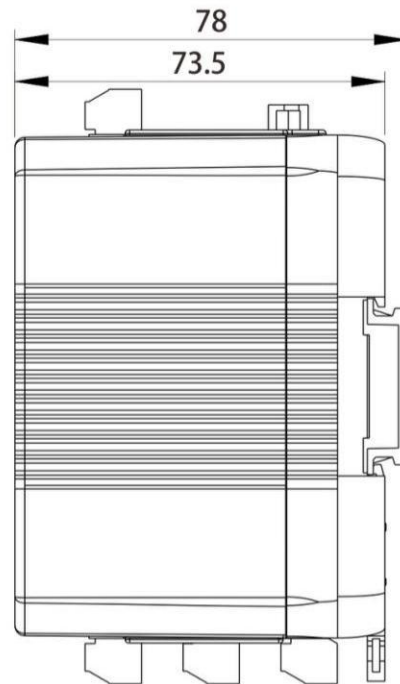
Pin Table



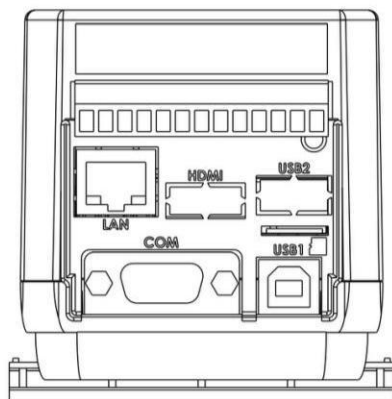
Dimension



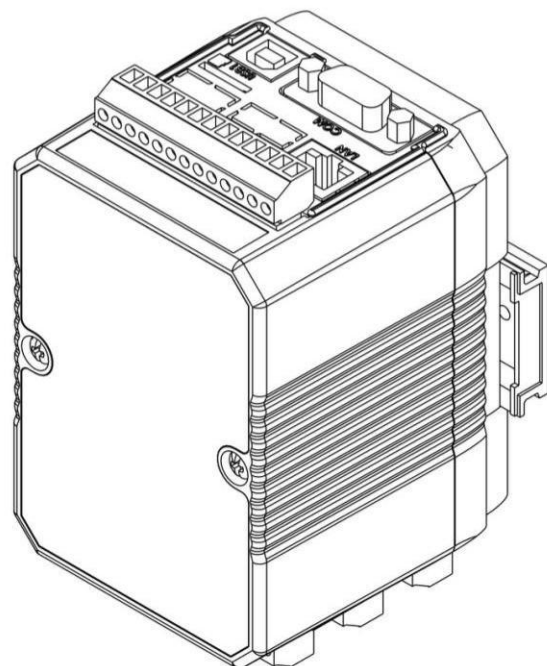
Top View



Side View



Front View



3D View

Unit: mm

Order Information

A-53 Series Ethernet Controller

| Model No | Description | Interface |
|----------|--|--|
| A-5389 | DCS Ethernet Controller, 14DI/8DO/4AI/2AO,SD available,R/O | USB*1,RS-485*2,RS-232*1,Ethernet*1(100M) |

A-51 Series Controller

| Model No | Description | Interface |
|-----------|---|-----------------------|
| A-5191 | Controllers, LED Indicator, 16DI, 4AI(0~10V),10DO Relay Output | 2*RS485&1*RS232&1*USB |
| A-5190 | Controller, 2DI, 4AI(2*0/4~20mA,2*PT-100), 2DO (10~60V,1.75A), 2AO(0/4-20mA) | 1*RS485&1*USB |
| A-5188 | Controller, LED Indicator, 8DI Digital Input, 4DO Relay Output | 2*RS485&1*RS232&1*USB |
| A-5189 | Controller, LED Indicator, 4DI,4AI(0-10V), 4DO Power Relay | 2*RS485&1*RS232&1*USB |
| A-5188-T | Controller, LED Indicator, 8DI Digital Input, 4DO Transistor Output | 2*RS485&1*RS232&1*USB |
| A-5189-T | Controller, LED Indicator, 4DI,4AI(0-10V), 4DO Transistor Output | 2*RS485&1*RS232&1*USB |
| A-5188D | Controller, LCD Display, 8DI Digital Input, 4DO Relay Output | 2*RS485&1*RS232&1*USB |
| A-5189D | Controller, LCD Display, 4DI 4AI(0-10V), 4DO Power Relay | 2*RS485&1*RS232&1*USB |
| A-5188D-T | Controller, LCD Display, 8DI Digital Input, 4DO Transistor Output | 2*RS485&1*RS232&1*USB |
| A-5189D-T | Controller, LCD Display, 4DI,4AI(0-10V),4DO Transistor Output | 2*RS485&1*RS232&1*USB |

A-10 Series I/O Module

| Model No | Description | Interface |
|----------|---|--------------------------|
| A-1057 | DO Remote Modules, LED indicator, DC Power Supply, 12DO, Source Output | RS-485*1 |
| A-1058 | DO Remote Modules, LED indicator, DC Power Supply, 12DO, Sink Output | RS-485*1 |
| A-1069 | DO Remote Modules, LED indicator, DC Power Supply, 8DO, Power Relay Output | RS-485*1 |
| A-1051 | DI Remote Modules, LED indicator, DC Power Supply, 16DI | RS-485*1 |
| A-1055 | DIO Remote Modules, LED indicator, DC Power Supply, 8DI/8DO, Sink Output | RS-485*1 |
| A-1055S | DIO Remote Modules, LED indicator, DC Power Supply, 8DI/8DO, Source Output | RS-485*1 |
| A-1060 | DIO Remote Modules, LED indicator, DC Power Supply, 8DI/4DO, Power Relay Output | RS-485*1 |
| A-1010 | DIAO Remote Modules, LED indicator, DC Power Supply, 8AI(0~10V,10bit), 2AO(0~10V,10bit), 4DO(sink) | RS-485*1 |
| A-1010+ | DIAO Remote Modules, LED indicator, DC Power Supply, 8AI(0~10V,10bit), 2AO(0~10V,10bit), 4DO(sink) | RS-485*1 Isolated |

| | | |
|---------|---|-----------------------------------|
| A-1012 | ADIO Remote Modules, LED indicator, DC Power Supply, 2DI, 4AI(0~20/4~20mA + PT-100/1000), 2AO(0~20/4~20mA), 2DO(Transistor) | RS-485*1 USB*1 |
| A-1012+ | ADIO Remote Modules, LED indicator, DC Power Supply, 2DI, 4AI(0~20/4~20mA + PT-100/1000) Isolated , 2AO(0~20/4~20mA), 2DO(Transistor) | RS-485*1 Isolated USB*1 |
| A-1013 | 4AI(0~10V/2~10V + PT-100/1000), 2AO(0~10V/2~10V), 2DI, 2DO(Source Output) | RS-485*1, USB*1 |
| A-1019 | ADIO Remote Modules, LED indicator, DC Power Supply, 4DI, 8AI(0~20/4~20mA,J,K,T,E,R,S,B,Thermistor) | RS-485*1 USB*1 |
| A-1019+ | ADIO Remote Modules, LED indicator, DC Power Supply, 4DI, 8AI(0~20/4~20mA,J,K,T,E,R,S,B,Thermistor) Isolated | RS-485*1 Isolated USB*1 |
| A-1036+ | AO Remote Modules, LED indicator, DC Power Supply, 6AO(0~20/4~20mA) | RS-485*1 Isolated |
| A-1038+ | AO Remote Modules, LED indicator, DC Power Supply, 8AO(0~10V) | RS-485*1 Isolated |

A-18 Series Ethernet I/O Module

| Model No | Description | Interface |
|----------|--|-------------------------|
| A-1819 | Ethernet IO Module, 8AI (0/4~20mA A,J,K,T,E,R,S,B,Thermistor-270 ~ +1800℃) | USB*1, Ethernet*1(100M) |
| A-1812 | Ethernet IO Module, 2DI 4AI(2*0/4~20mA,2*PT-100/1000) 2AO | USB*1, Ethernet*1(100M) |
| A-1851 | Ethernet IO Module, 16DI | USB*1, Ethernet*1(100M) |
| A-1855 | Ethernet IO Module, 8DI, 4DO(Motor Driver 8~60V/1.75A) | USB*1, Ethernet*1(100M) |
| A-1860 | Ethernet IO Module, 8DI, 4DO Power Relay (250VA/7A, 30VD/7A) | USB*1, Ethernet*1(100M) |
| A-1869 | Ethernet IO Module, 8DO Power Relay (250VA/7A, 30VD/7A) | USB*1, Ethernet*1(100M) |
| A-1855S | Ethernet IO Module, 8DI, 4DO Source (10-40VDC/1A) | USB*1, Ethernet*1(100M) |

Contact us

Shenzhen ATC Technology Co.,Ltd

Add. Room 803, Block D, Building 16, South Station Enterprise City,Port Road Nanhai District, Foshan, China,528251

Tel: (86 757) 8676 7929

Email: sales@szatc.com support@szatc.com

Website: www.szatc.com